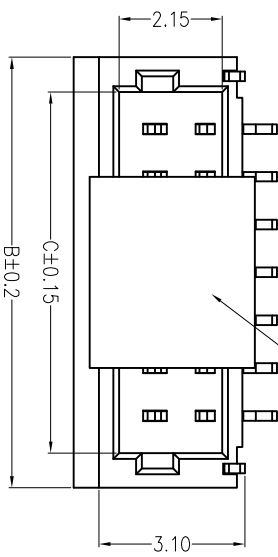
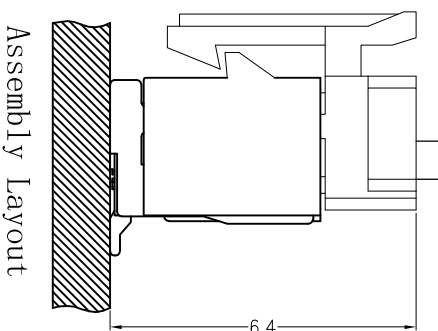
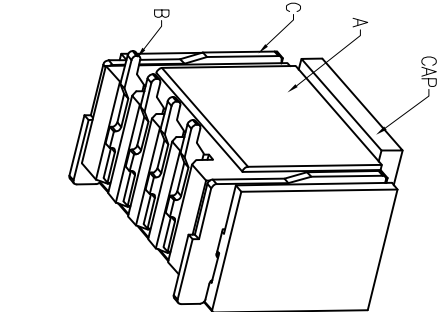
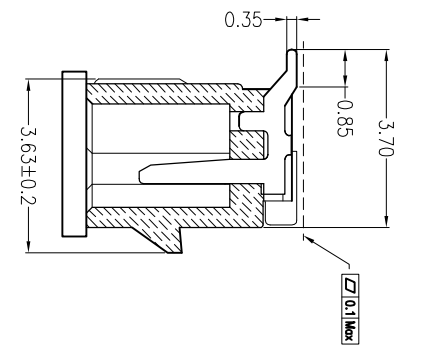
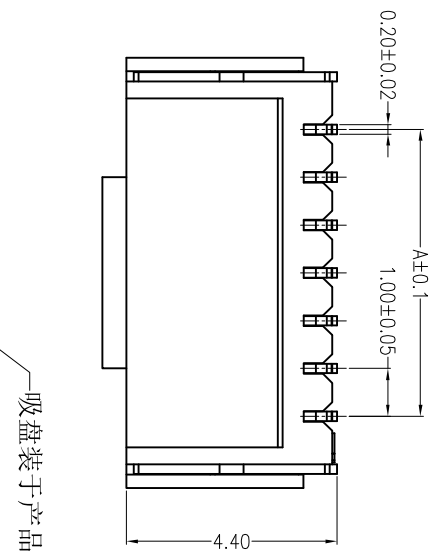
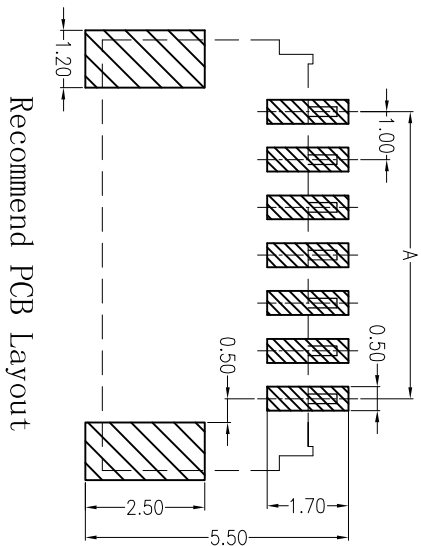


客户料号:



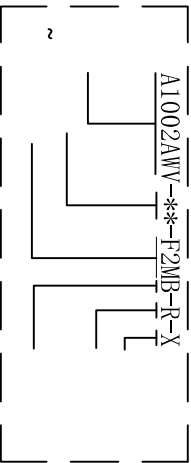
Circuit	Dimensions (mm)			Circuit		
	A	B	C	A	B	C
02	1.00	4.00	2.55	10	9.00	10.55
03	2.00	5.00	3.55	11	10.00	13.00
04	3.00	6.00	4.55	12	11.00	14.00
05	4.00	7.00	5.55	13	12.00	15.00
06	5.00	8.00	6.55	14	13.00	16.00
07	6.00	9.00	7.55	15	14.00	17.00
08	7.00	10.00	8.55	16	15.00	18.00
09	8.00	11.00	9.55	20	19.00	22.00



主要技术参数 Main Specifications

线数 (Poles): 02 to 20
 接触电阻 (Contact resistance): $\leq 20m\Omega$
 绝缘电阻 (Insulation resistance): $\geq 100M\Omega$
 额定电压 (Rated voltage): 50V AC DC
 额定电流 (Rated current): 0.5A AC DC
 耐电压 (Withstand Voltage): 500V AC/minute
 温度范围 (Temperature Range): $-25^{\circ}C \sim +105^{\circ}C$

ORDER INFORMATION:



深圳市启威源电子有限公司

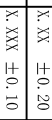
MODEL NO: A1002AWV-**-F2MB-R-X

MODEL NAME: 1.0mm PITCH 180° WAFER SMT TYPE

APPROVED BY
 邵敬和



CHECKED BY
 伏何



DRAWN BY
 吴丹平

DATE
 2016.05.05

SHEET
 1/1

ANGLE
 $\pm 3.0^{\circ}$

UNIT
 mm

TOLERANCE
 K.X ± 0.30
 K.XX ± 0.20
 K.XXX ± 0.10

REV
 A/0
 A/1

EC# NO
 REVISON RECORD
 NEW RELEASE
 统一变更图框

NAME
 DATE
 张一霖 2014.04.06
 吴丹平 2016.05.05

NO
 DESCRIPTION
 A Insulator
 B Contacts
 C Solder-Tab

QTY
 MATERIAL
 1 LCP (U194V-0)
 2~20 Phosphor-Bronze
 2 Phosphor-Bronze

PLATING/COLOR
 Beige
 Tin-Plated
 Tin-Plated

A

B

C

D

E

F